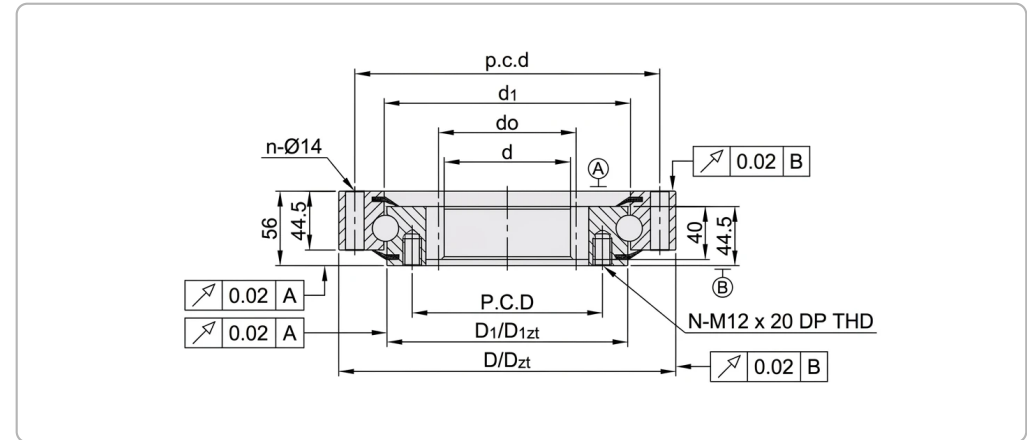




Product View



Section Drawing

**Technical Parameters**

Parameter	Value
Contact Type	4-Point Contact
Gear Type	Internal Gear Type
Precision Class	P5
Sealing	Rubber seals on both sides
Material	SUJ2 (GCr15)
Operating temperature	-20°C to +80°C
Running Accuracy	Radial & Axial Run-out <= 0.02 mm
Raceway Hardness	58-62 HRC
Bore Diameter (d)	736 mm
Height (H)	56 mm
Outside Diameter (D)	916 mm
Outside diameter tolerance	-0.6mm to 0
Width outer ring (ha)	44.5 mm
Width inner ring (hi)	44.5 mm
Width gearing (b)	40 mm
Outer Ring Pilot Diameter (Dzt)	914 mm
Inner diameter outer ring (d1)	845.5 mm
Inner diameter outer ring tolerance	0.6mm to 0
Outside diameter inner ring (D1)	842.5 mm

Parameter	Value
Outside diameter inner ring tolerance	-0.6mm to 0
Inner Ring Pilot (D1zt)	841 mm
Pitch circle diameter gearing (do)	752 mm
Module of gearing (M)	8 mm
Number of teeth (Z)	94
Pressure Angle	20°
Pitchcircle diameter fixing holes outer ring (p.c.d)	890 mm
Number of fixing holes in outer ring (n)	40
Fixing bore	14 mm
Pitchcircle diameter fixing holes inner ring (P.C.D)	805 mm
Number of fixing holes in inner ring (n)	40
Threaded fixing bore	M12
Thread depth fixing hole	20 mm
Basic dynamic load rating, axial (Ca)	222 KN
Basic static load rating, axial (C0a)	1150 KN
Basic dynamic load rating, radial (Cr)	145 KN
Basic static load rating, radial (C0r)	510 KN
Radial Clearance	0-0.05 mm
Axial Clearance	0-0.08 mm