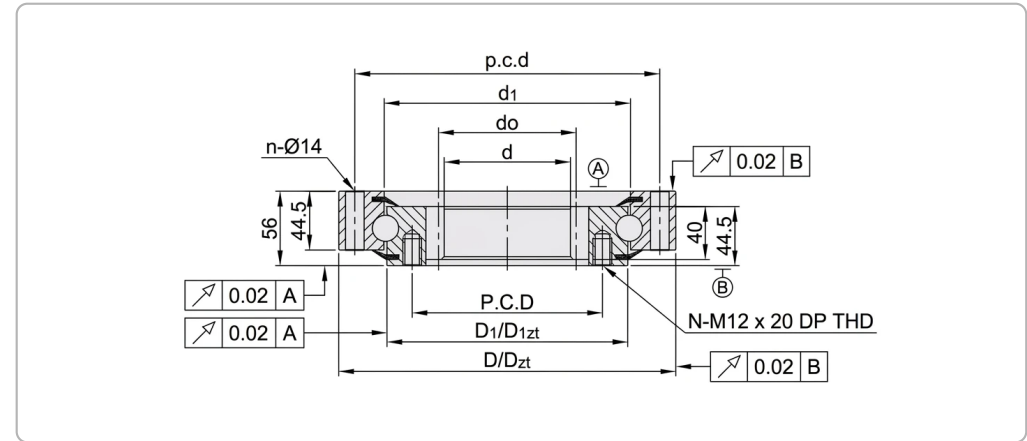




Product View



Section Drawing

Technical Parameters

Parameter	Value
Contact Type	4-Point Contact
Gear Type	External Gear Type
Precision Class	P5
Sealing	Rubber seals on both sides
Material	SUJ2 (GCr15)
Operating temperature	-20°C to +80°C
Running Accuracy	Radial & Axial Run-out ≤ 0.02 mm
Raceway Hardness	58-62 HRC
Bore Diameter (d)	1022 mm
Bore Diameter tolerance	0.7mm to 0
Height (H)	56 mm
Outside Diameter (D)	1198.1 mm
Width outer ring (ha)	44.5 mm
Width inner ring (hi)	44.5 mm
Width gearing (b)	40 mm
Outer Ring Pilot Diameter (Dzt)	1024 mm
Inner diameter outer ring (d1)	1095.5 mm
Inner diameter outer ring tolerance	0.7mm to 0
Outside diameter inner ring (D1)	1092.5 mm

Parameter	Value
Outside diameter inner ring tolerance	0.7mm to 0
Inner Ring Pilot (D1zt)	1097 mm
Pitch circle diameter gearing (do)	1184 mm
Module of gearing (M)	8 mm
Number of teeth (Z)	148
Pressure Angle	20°
Pitchcircle diameter fixing holes outer ring (p.c.d)	1135 mm
Number of fixing holes in outer ring (n)	44
Fixing bore	14 mm
Pitchcircle diameter fixing holes inner ring (P.C.D)	1048 mm
Number of fixing holes in inner ring (n)	48
Threaded fixing bore	M12
Thread depth fixing hole	20 mm
Basic dynamic load rating, axial (Ca)	244 KN
Basic static load rating, axial (C0a)	1490 KN
Basic dynamic load rating, radial (Cr)	160 KN
Basic static load rating, radial (C0r)	660 KN
Radial Clearance	0-0.05 mm
Axial Clearance	0-0.08 mm