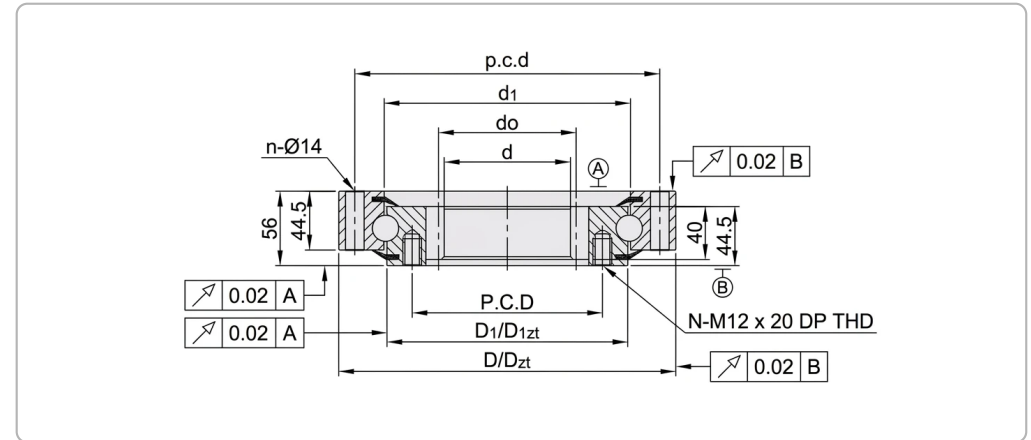




Product View



Section Drawing

Technical Parameters

Parameter	Value
Contact Type	4-Point Contact
Gear Type	External Gear Type
Precision Class	P5
Sealing	Rubber seals on both sides
Material	SUJ2 (GCr15)
Operating temperature	-20°C to +80°C
Running Accuracy	Radial & Axial Run-out <= 0.02 mm
Raceway Hardness	58-62 HRC
Bore Diameter (d)	772 mm
Bore Diameter tolerance	0.6mm to 0
Height (H)	56 mm
Outside Diameter (D)	950.1 mm
Width outer ring (ha)	44.5 mm
Width inner ring (hi)	44.5 mm
Width gearing (b)	40 mm
Outer Ring Pilot Diameter (Dzt)	774 mm
Inner diameter outer ring (d1)	845.5 mm
Inner diameter outer ring tolerance	0.6mm to 0
Outside diameter inner ring (D1)	842.5 mm

Parameter	Value
Outside diameter inner ring tolerance	0.6mm to 0
Inner Ring Pilot (D1zt)	847 mm
Pitch circle diameter gearing (do)	936 mm
Module of gearing (M)	8 mm
Number of teeth (Z)	117
Pressure Angle	20°
Pitchcircle diameter fixing holes outer ring (p.c.d)	885 mm
Number of fixing holes in outer ring (n)	36
Fixing bore	14 mm
Pitchcircle diameter fixing holes inner ring (P.C.D)	798 mm
Number of fixing holes in inner ring (n)	40
Threaded fixing bore	M12
Thread depth fixing hole	20 mm
Basic dynamic load rating, axial (Ca)	222 KN
Basic static load rating, axial (C0a)	1150 KN
Basic dynamic load rating, radial (Cr)	145 KN
Basic static load rating, radial (C0r)	510 KN
Radial Clearance	0-0.05 mm
Axial Clearance	0-0.08 mm